

Wexiödisk^W

PRE-RINSE MACHINE WD-PRM6 & WD-PRM7

(original documentation)



Read the manual before using the machine!

Installation and user manual



WD-PRM67_4

1. General instructions	1
1.1 Symbols used	2
1.2 Machine rating	3
1.3 Checking that the machine and manual correspond	3
1.4 EU Declaration of Conformity	4
2. Safety instructions	5
2.1 General information	5
2.2 Transport	6
2.3 Installation	6
2.4 Operation	6
2.4.1 Risk of crushing	6
2.4.2 Risk of slipping	6
2.4.3 Sounds	6
2.5 Cleaning the machine	6
3. Installation instructions	7
3.1 General information	7
3.2 Requirements for the installation site	8
3.2.1 Lighting	8
3.2.2 Ventilation and ambient temperature	8
3.2.3 Power supply	8
3.2.4 Water	8
3.2.5 Drain/waste pipe	8
3.2.6 Space for servicing	8
3.3 Transport and storage	9
3.3.1 Unpacking	9
3.3.2 Recycling	9
3.4 Installation	10
3.4.1 Preparing for the installation	10
3.4.2 Positioning the machine	10
3.5 Connections	11
3.5.1 Electrical connection	12
3.5.2 Water connection, regardless of any options	12
3.5.3 Ventilation	12
3.5.4 Drain/waste pipe	13
3.5.5 Adjustment of hinged basket conveyor	16
3.5.6 Bleeding the hood lifting cylinder (option)	16
3.5.7 Setting / adjustment of flows	16

3.6 Installation and connection of auxiliary equipment and options	17
3.6.1 Sinks	17
3.6.2 Booster pump, shared with dishwasher connected (option)	18
3.6.3 Drain pump, shared with dishwasher connected (option)	19
3.7 Trial operation	20
3.7.1 Start-up schedule	20
3.8 Documentation	21
4. Operating instructions	22
4.1 Before pre-rinsing	23
4.1.1 Machine design	23
4.1.2 Preparations before filling	24
4.1.3 Filling the machine	24
4.2 Pre-rinse	24
4.2.1 Positioning of dishware in baskets	25
4.2.2 Machines with manual hood lift	26
4.2.3 Machines with an automatic hood lift (option)	26
4.2.4 Changing the water	26
4.2.5 Emergency stop function	26
4.3 After use – Cleaning	27
4.3.1 Incorrect cleaning methods	27
4.3.2 Emptying	28
4.3.3 Daily cleaning	28
4.3.4 Cleaning each week or as required	29
4.3.5 Operating problems	30
5. Technical specifications	31

1. General instructions

Read the instructions in this manual carefully as they contain important information regarding the correct, effective and safe installation, use and servicing of the machine. Service personnel should have access to all documentation for the machine.

Keep this manual in a safe place so that it can and should be used by other operators of the machine.



- The WD-PRM6/7 can only replace manual pre-rinsing of items. In future, the items must still be washed and rinsed out in a dishwasher.
- The machine can be equipped with a number of different options. Certain options may be standard in a number of countries. Check what your machine is equipped with.
- The capacity requirements of the machine can be found in the TECHNICAL DATA chapter.
- The electronics in the machine are RoHS compatible.

Before the machine is started up and used, the following points should be observed:



- The SAFETY INSTRUCTIONS chapter must be studied carefully before commissioning the machine.
- Installation of the machine must be performed in accordance with the requirements and instructions indicated in the INSTALLATION INSTRUCTIONS and TECHNICAL SPECIFICATIONS chapters.
- Any personnel who may at some point use the machine must be trained in its operation, use and care.
- The machine should not be used by anyone suffering from a physical or mental illness.
- A close eye should be kept on any children in the vicinity of the machine to ensure they do not tamper with it.
- All cover plates must be fitted during use.



The machine and equipment requires an annual service. Contact one of our authorised and trained service companies for such a service.

General instructions

1.1 Symbols used



This symbol warns of situations where a safety risk may arise. The instructions given should be followed in order to prevent injury and dangerous situations.



This symbol on a machine part warns of electrical equipment. The machine must be entirely non-live during servicing, turn off the power at the power switch and if required, the switch should be locked to prevent unintentional operation. The component may only be removed by a qualified electrician.



This symbol warns that the machine's electronics are sensitive to electrostatic discharge (ESD), which is why a static electricity wristband must be used when handling the electronics at all times.



This symbol explains the right way to perform a task in order to prevent poor results and/or damage to the machine.



This symbol identifies recommendations and hints to help you get the best results when washing, to increase the machine's lifespan and reduce the risk of emergency shutdown.



This symbol explains the importance of careful and regular cleaning of the machine to meet hygiene requirements.



This symbol warns of the importance to read the manual before using the machine.



This symbol warns that local regulations must be followed for recycling of packaging etc. as well as the destruction of the machine.

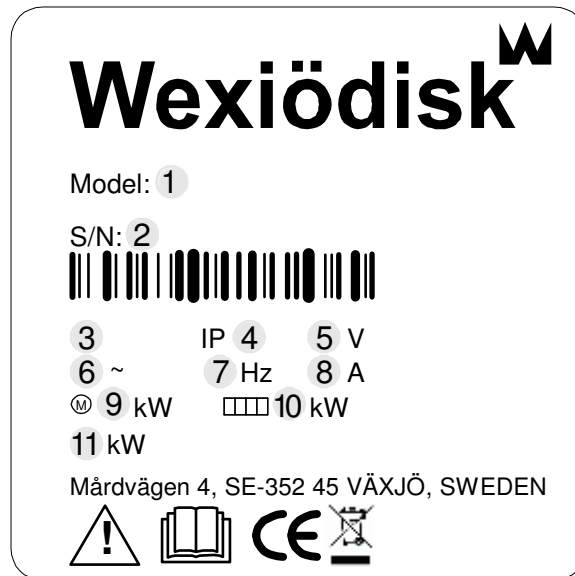


This symbol shows where any earth cable for potential equalisation can be connected. The earth bolt is placed on the machine's stand.

General instructions

1.2 Machine rating

The machine has two rating plates, one of which is placed at the bottom of one side of the machine and the other in the electrical cabinet. The technical information on the plates is also included on the machine's wiring diagram. The various rating fields show:



1. Machine type
2. Machine serial number
3. Year of manufacture
4. Enclosure protection class
5. Voltage
6. Number of phases with or without neutral
7. Frequency
8. Main fuse
9. Motor output
10. Electrical heating output
11. Max. output

1.3 Checking that the machine and manual correspond

Check that the type description on the rating plate corresponds with the type description on manual cover page. If manuals are missing, it is possible to order new ones from the manufacturer or the local distributor. When ordering new manuals, it is important to quote the machine number found on the rating plate.

General instructions

1.4 EU Declaration of Conformity

A so-called EU Declaration of Conformity is provided on delivery of the machine.

Wexiödisk

CE DECLARATION OF CONFORMITY

This declaration of conformity only refers to the machine/product in the condition in which it is supplied, not any additions or modifications made by the customer/user.

1. Manufacturer: Wexiödisk AB Mårdvägen 4 S-352 45 Växjö, Sweden
Tel: +46 (0)470 77 12 00 Fax: +46 (0)470 237 52 Email: wexiodisk@wexiodisk.com

2. Representative: Wexiödisk AB (Trucking, Crane Rental) Group Ltd, DSP 000, ERENFORNERS SERVICE OOD, P.O. Box 401, 225, Martin Food Equipment Ltd, Martin Pty Ltd,
M/s Abhishek Consoicates Pvt Ltd, Nakanishi Mfg Co Ltd, QMB Corporation, Retail doc,
SHS Hvalten i Kurliflan, TFN Group, Wexiödisk AB, Wexiödisk UK

3. Compiler of technical documentation: Magnus Ericsson

4. Our machines are manufactured in 2016 in accordance with applicable EU directives and we declare under sole responsibility that the following products:

5. CE Declaration of Conformity,
EU's Machinery Directive 2006/42/EC, annex IA,
EU's Low-voltage directive 2006/95/EC
EU's EMC-directive 2014/53/EU
EU's WEEE directive 2002/96/CE
EU's RoHS-directive 2011/65/EU

6. Harmful/avoid intended:
EN 12100 Machine safety: General principles for design - Risk assessment and risk reduction
EN 50105 Safety - Particular rules for cordless tools
EN 50123 Specification for degrees of protection provided by enclosures (IP code)
EN 61010-1 Measurement methods for electromagnetic fields of household appliances and similar apparatus with regard to human exposure
EN 61010-2 Electromagnetic compatibility (EMC) - Immunity standard for industrial environments
EN 55014-1 Electromagnetic compatibility - Requirements for household appliances, electric tools and similar apparatus (EMC) - Part 1: Emission
EN 50181 Technical documentation for the assessment of electrical and electronic products with respect to the restriction of hazardous substances

7. The above directives and standards are common to the different machine groups. Standards in the tables below are specific to the different machine groups.

<p>Group 1: Tools, Power tools, Transport devices with accessories: WD-10: (117000-1) WD-PRM6 & WD-PR7 & WD-75 & WD-10: (117000-1) WD-10: (117000-1) WD-PRM6/PR7: (117000-1) WD-10 & WD-1040/1041 & WD-1040/1041 & WD-1041/1041 (1041) & WD-1041 & WD-2251: (117000-1) WD-1050/1050: (117000-1) WD-1050: (117000-1) WD-1050: (117000-1) WD-1050: (117000-1)</p>	<p>Harmonised standards to: EU's Machinery Directive 2006/42/EC, annex IA EN 10001-2 Safety (1) Mechanical and safety related applications - Design applications for EN 10001-2-48 Application for the safety of hoists and other electrical equipment - Publication by standards - Commercial electric drive technology with less</p>
<p>Group 2: Special machines: WD-3000 & WD-3001 & WD-3000 & ACB-3007 & WD-25BR & WD-31T & WD-3020 & WD-3001 (General intended) WD-10: (117000-1)</p>	<p>Harmonised standards to: EU's Machinery Directive 2006/42/EC, annex IA EN 10001-2 Safety (1) Mechanical applications of machines (series of standards)</p>
<p>Special machines: ACB 4000AC/000-1014-10</p>	<p>Harmonised standards to: EU's Machinery Directive 2006/42/EC, annex IA EN 10001-2 Safety (1) Mechanical applications of machines (series of standards)</p>

8. Växjö 2016-04-20

Magnus Tjusson
Managing Director

CE_16_2

- Contact details of the manufacturer (Wexiödisk AB, Mårdvägen 4, SE-35245 Växjö, SWEDEN, Tel.: +46 470 771200, Fax: +46 470 23752, E-mail: wexiodisk@wexiodisk.com).
- Representatives of Wexiödisk AB.
- Person responsible for the product's documentation.
- Year of manufacture of the product.
- The EU Directives with applicable provisions to which all the machines, special machines and accessories comply.
- Harmonised standards for the Directives specified, and which the machines, special machines and accessories meet, wherever relevant.
- Model designation and serial number of the machines, special machines and accessories the document applies to.
- Place and date with signature and name (in block letters) of the person responsible for ensuring compliance with legislation and regulations.

2. Safety instructions



Read the chapter GENERAL INSTRUCTIONS carefully before starting work.

2.1 General information



The machine is CE marked, which means that it complies with the requirements of the EU Machinery Directive with regard to product safety. Product safety means that the design of the machine will prevent personal injury or damage to property. The CE mark is only valid for an unmodified machine. Any damage to the machine arising from failure to follow the instructions will invalidate the supplier's warranty and product liability.



Installation, repairs and servicing must be performed by an authorised engineer in accordance with local and national rules in effect for such work with water and drainage systems, electricity, ventilation and steam. We recommend that the work is performed by the manufacturer or one of the manufacturer's authorised service companies.

To further improve safety during installation, operation and servicing, the operator and the personnel responsible for installing and servicing the machine should read the safety instructions carefully.



The machine's electronics are sensitive to electrostatic discharge (ESD), which is why a static electricity wristband must be used when handling the electronics at all times.

Before the machine enters service, ensure that the personnel are given the necessary training in handling and looking after the machine.

In order to avoid dangerous situations, the following must be followed:



- Switch off the machine immediately in the event of failure or malfunction.
- Make sure the machine is non-live before removing the cover plate. Turn off the power using the power switch. If required, the switch must be locked to prevent unintentional operation.
- Shut off the tap for incoming water and drain the machine's tank(s) before starting work. Let the machine cool down as pipes for water, washing pumps, booster heaters and valves become very hot when the machine is in operation.
- The machine and equipment requires an annual service. The machine should be serviced by a person authorised or trained to do so by us. Use original spare parts.
- Warranty repairs must be performed by an authorised company. Contact an authorised service company to draw up a programme of preventive care and maintenance. For authorised service companies, please see www.wexiodisk.com or contact Wexiödisk AB.
- The regular checks described in the manual must be carried out in accordance with the instructions.

Safety instructions

2.2 Transport



Handle the machine with care during unloading and transport; there is a risk of it tipping over. Never lift or move the machine without using the wooden packaging to support the stand.

2.3 Installation



- The machine is designed for quick electrical installation.
- The machine must be connected to a lockable power switch.
- Make sure that the mains voltage is the same as that indicated on the machine's rating plate.



For increased safety, it is recommended to equip the installation with a ground fault circuit breaker.

2.4 Operation



Be very careful around the machine when it is in operation.

2.4.1 Risk of crushing



The machine, and any equipment, has moving parts before, during and after pre-rinsing. Be careful therefore to avoid crushing injuries. In connection with service or repairs that require the hood to be open, it must be secured by means of a prop for example.

2.4.2 Risk of slipping



The floor should be kept clean and dry to eliminate any risk of slipping. Mop up any water and leftover food that has been spilt.

2.4.3 Sounds



The machine is not silent during operation, see TECHNICAL SPECIFICATIONS. Hearing protection may therefore need to be used.

2.5 Cleaning the machine



The water in the tank has a temperature of approximately 40°C and contains detergent. Be careful when draining and cleaning the wash tank. Wear protective gloves and safety glasses and have an eyebath within easy access.

3. Installation instructions



Read the chapters GENERAL INSTRUCTIONS and SAFETY INSTRUCTIONS carefully before starting work.

3.1 General information



Read these instructions carefully, as they contain important information regarding the correct installation method.



- The instructions should be used together with the machine's wiring diagram. These can be found in the machine's electrical cabinet.
- The WD-PRM6/7 cannot be combined with a WD 6/7 that is fitted with a heat recovery package through the wastewater.
- Dishwashers connected to the WD-PRM6/7 should have software version 4.7 or later; if the machine is a "DUPLUS", the software version should be at least version 2.5. Where the dishwasher has an earlier software version, it should be updated.
- The machine can be equipped with a number of different options. Certain options may be standard in a number of countries. Check what your machine is equipped with.
- If holes need to be drilled in the machine, the holes must be fitted with an edge strip or similar protection.

3.2 Requirements for the installation site

3.2.1 Lighting

In order to ensure the best possible working conditions during installation, operation, servicing and maintenance, make sure that the machine is installed in a well-lit room.

3.2.2 Ventilation and ambient temperature

The machine is intended to be used in an indoor environment at normal room temperature. The machine produces heat and steam when in operation. In order to ensure the best possible working conditions, a certain air renewal rate is required in the dishwashing room. The ventilation requirements for the dishwashing room are to be dimensioned on the basis of the applicable standards.

3.2.3 Power supply

Power supply connections are made by qualified personnel in a way that complies with local and national regulations. The machine's capacity requirements are stipulated in TECHNICAL SPECIFICATIONS.

3.2.4 Water

Water connections are made by qualified personnel in a way that complies with local and national regulations. The machine's capacity requirements are stipulated in TECHNICAL SPECIFICATIONS.

3.2.5 Drain/waste pipe

There must be a drain pipe with an effective trap for the machine's waste water and for water used for rinse cleaning. The machine's capacity requirements for drainage are stipulated in TECHNICAL SPECIFICATIONS.

3.2.6 Space for servicing

A 1-metre area should be left clear in front of the machine for servicing purposes. Depending on if the machine has different accessories, there may also be such a requirement at the infeed and outfeed ends as well as above the machine.

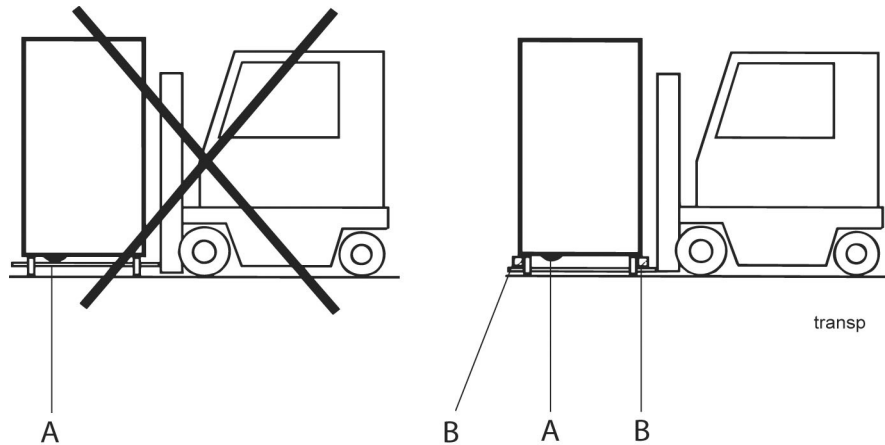
Installation instructions

3.3 Transport and storage

Always transport the machine in an upright position.



Take care during transport, as there is a risk of tipping. N.B! The machine must not be transported without a pallet or other support. Some form of support beam must always be used along the sides of the machine during transport. Otherwise the machine may become damaged. When transporting the machine without a normal wooden pallet, always check that none of the components underneath the machine can be damaged.



A=Pumps
B=Spacers



If the machine is not being installed immediately, it must be stored in a frost-free area where the air is dry.

3.3.1 Unpacking

Check that all parts have been delivered by comparing them with the delivery note.

Remove the packing material. Inspect the machine for any transport damage.

3.3.2 Recycling

Packaging must be sent for destruction or recycling in accordance with local regulations.



The machine is manufactured from stainless steel plate, among other things, and also contains electronic components. Recycling of the appliance when its economic lifetime has been reached must be carried out in accordance with current rules and regulations.

Installation instructions

3.4 Installation

3.4.1 Preparing for the installation

Check that there is sufficient room for the machine at the installation location.



- Check that correct connections are available for water, electricity, drainage and possibly steam at the installation location. See TECHNICAL SPECIFICATIONS.
- The level pipe in the connected dishwasher must be removed and replaced by a bottom filter.

3.4.2 Positioning the machine

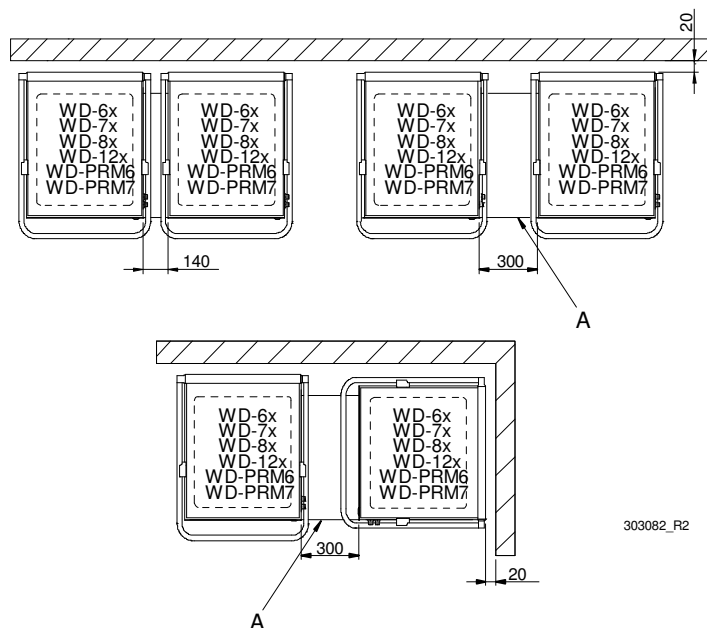
Check the following points before the machine is placed in position:



- Check that the fuse for the machine at the site is off, blocked and that outgoing electrical circuits from the machine are non-live.
- Remove the protective plastic on the sides which are to be stood against a wall.
- The distance between the wall and machine should be at least 20 mm.
- If the machine is to be corner-loaded, it must be positioned with the control panel furthest away from the wall.

Place the machine in position and check that it, and any accessories, are horizontally level. Adjust the height with the legs.

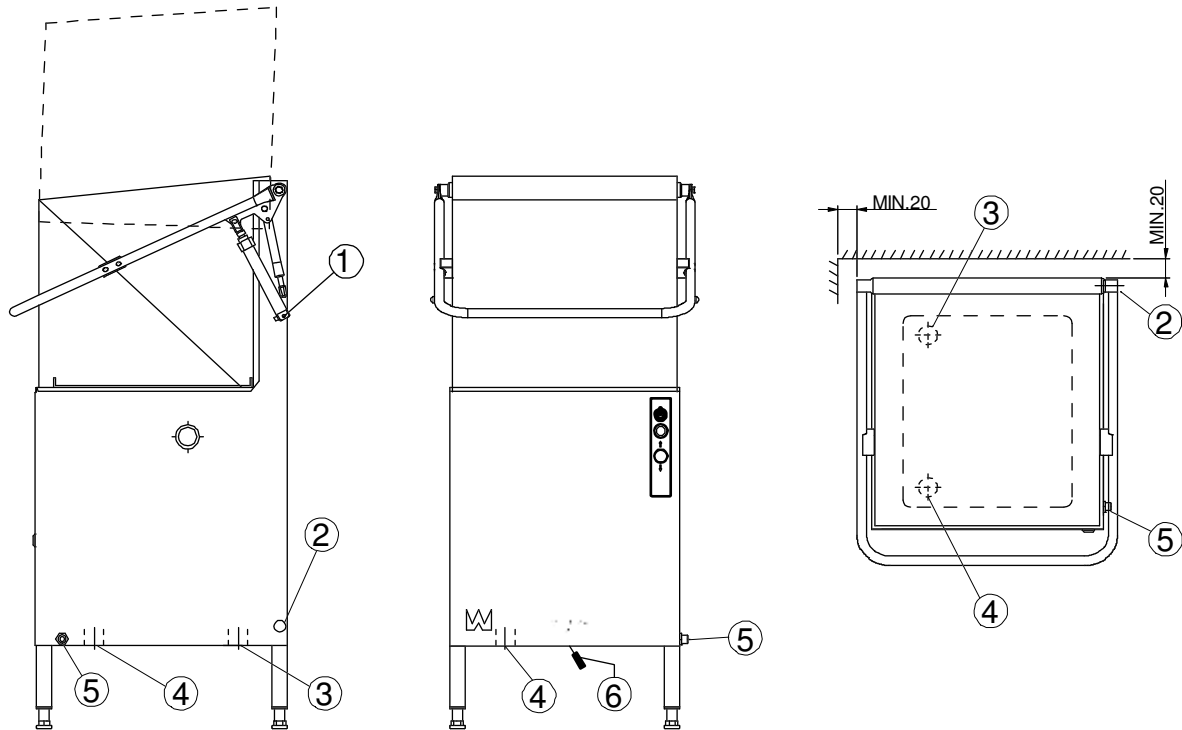
Check with a spirit level that is standing level. Place the spirit level on the join between the machine tank and the upper part. Once the machine has been filled with water, do another check to make sure the machine is horizontal.



A=Distance between the machines, with or without a cabinet (option)

Installation instructions

3.5 Connections



PRM_67_04_R3

1. Bleed for lifting cylinder (on machines with an automatic hood) (option)
2. Electrical connection
3. Water connection in the bottom of the washing tank for incoming water from the dishwasher.
4. Drain connection in the bottom of the washing tank.
5. Cold water connection (option)
6. Drain lever

In the following chapter, figures are given in brackets to clarify what needs to be done. These numbers refer to image and list above.

Installation instructions

3.5.1 Electrical connection

Information about electrical connections is available on the machine's wiring diagram which is provided on delivery. Store the diagrams in the plastic pocket, located in the electrical cabinet, even after installation.



- The machine is designed for quick electrical installation.
- The machine must be connected to a lockable power switch. This should be placed on a wall, well-protected from water and from the steam which escapes when the machine is opened. The machine is supplied with the electrical cable connected (2).

After completing the installation, switch on the power switch and all circuit breakers.

3.5.2 Water connection, regardless of any options



- The dishwasher fills with water (3) via the dishwasher that the WD-PRM6/7 is connected to.
- If the machine has a water-powered automatic hood, the water is connected to (5).
- The required water flow and pressure can be found in the TECHNICAL SPECIFICATIONS. If the water pressure is too low, a booster pump must be fitted.

3.5.3 Ventilation

The machine's heat load for the room is stipulated in TECHNICAL SPECIFICATIONS.

Installation instructions

3.5.4 Drain/waste pipe

The waste water system connected to (4) should consist of a 50 mm metal pipe that will withstand mechanical impacts. The drain must run to a floor drain, where its opening must be above the water level.

Ensure that the drain connection is kept in place by using e.g. cable ties in the designated areas.

Connecting the dishwasher



The length of level pipe that is firmly fitted on WD-PRM6/7 varies depending on which dishwasher it should be connected with.

WD-6x, WD-7x and WD-8x: WD400031.01

WD-12: WD400031.03

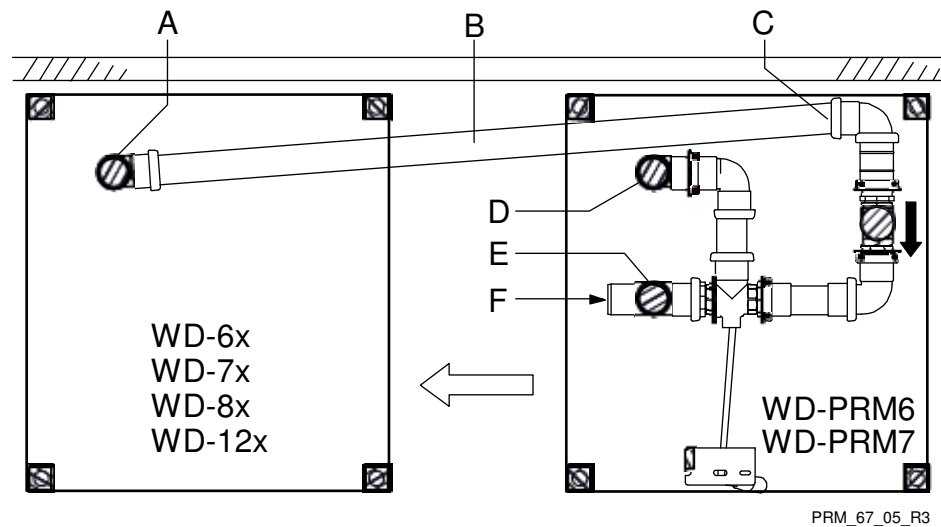
WD-12S: WD400031.04



- The pressure switch in WD-PRM6/7 is set as standard as follows:
Upper level: 265mm
Lower level: 155mm
- If the pressure switch in a connected dishwasher or in WD-PRM6/7 needs to be changed, this will be stated in the dishwasher's "Installation and user manual".

Installation instructions

Feed from right to left



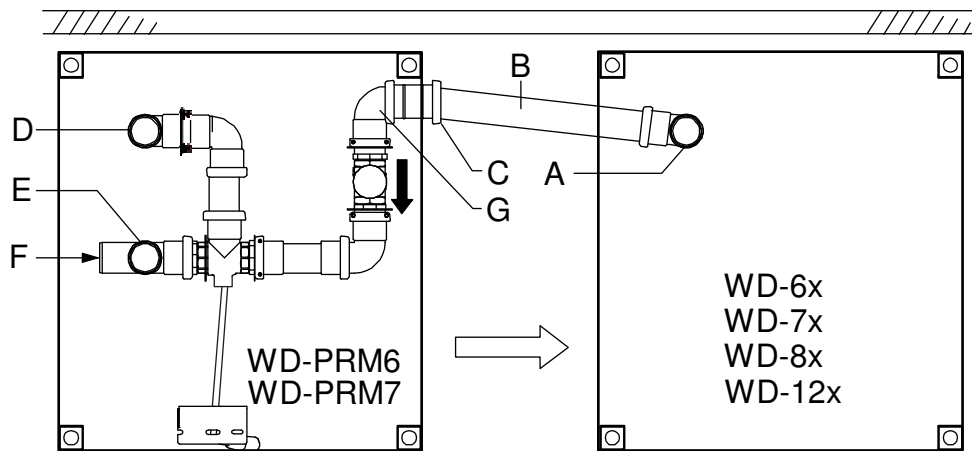
Water and drain connections seen from above. Dishwasher placed to the left of WD-PRM6/7.



- A=Water connection in the bottom of the dishwasher's washing tank. The connection must be fitted with a bottom filter. (NB: No level pipe)
- B=Connecting pipe. Cut to a suitable length.
- C=Connection for connecting pipe.
Note the lock screws that may need to be undone before fitting connecting pipe C; these must be tightened after fitting.
- A=Water connection in the bottom of WD-PRM6/7's washing tank. The connection must be fitted with a bottom filter. (NB: No level pipe)
- E=Drain connection in the bottom of WD-PRM6/7's washing tank. (Position and length of level pipe.)
- F=Connection for waste pipe between machine and floor drain.

Installation instructions

Feed from left to right



PRM_67_06_R3

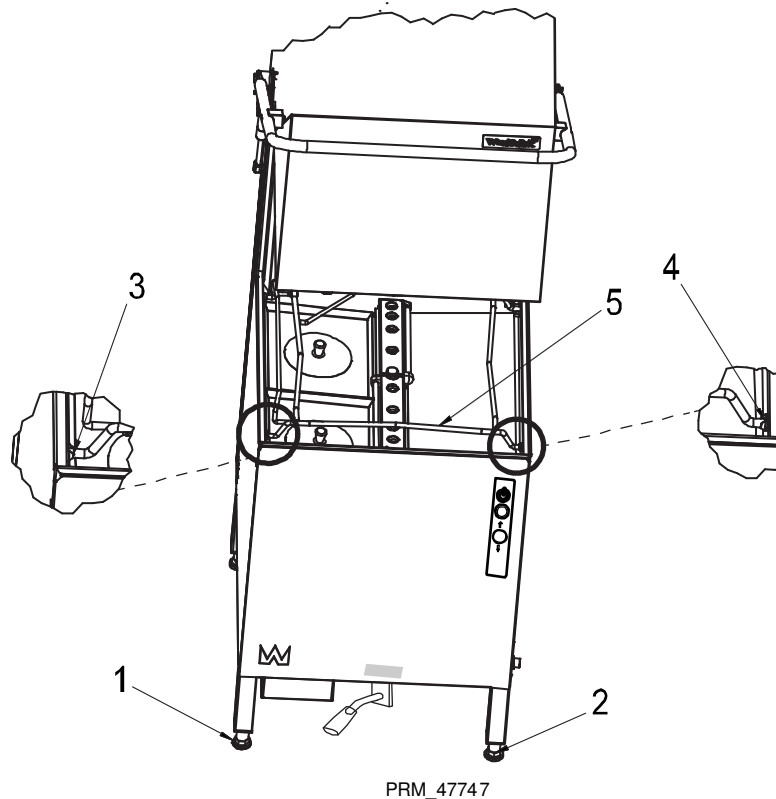
Water and drain connections seen from above. Dishwasher placed to the right of WD-PRM6/7.



- A=Water connection in the bottom of the dishwasher's washing tank. The connection must be fitted with a bottom filter. (NB: No level pipe)
- B=Connecting pipe. Cut to a suitable length.
- C=Connection for connecting pipe.
Note the lock screws that may need to be undone before fitting connecting pipe C; these must be tightened after fitting.
- A=Water connection in the bottom of WD-PRM6/7's washing tank. The connection must be fitted with a bottom filter. (NB: No level pipe)
- E=Drain connection in the bottom of WD-PRM6/7's washing tank. (Position and length of level pipe.)
- F=Connection for waste pipe between machine and floor drain.
- G=Pipe bend with associated sleeve; loosen and turn to connect connecting pipe from right.

Installation instructions

3.5.5 Adjustment of hinged basket conveyor



- Adjust the machine so that it is level by adjusting all four feet so that they are in full contact with the floor. Use a spirit level.
- Fill the machine.
- Lift the basket conveyor (5) up and down and adjust leg (1) and leg (2) until the basket conveyor is in the middle of both supports (3) and (4).
- The legs must be adjusted in pairs if any further adjustment is required (to the side, forwards or backwards).

3.5.6 Bleeding the hood lifting cylinder (option)

1. Close the hood.
2. Loosen the hose connection of the first air cylinder approx. 2-3 turns using a 13 mm box wrench.
3. Keep the hood in the closed position. Press the up button. Check that only water and no air comes out of the hose connection. Otherwise repeat the procedure.
4. Tighten the hose connection with the hood still in the lower position.
5. Repeat the same procedure with the second cylinder.

3.5.7 Setting / adjustment of flows

This is described in the chapter ADJUSTMENT INSTRUCTIONS.

3.6 Installation and connection of auxiliary equipment and options



- Once the machine is in place and has been adjusted horizontally and vertically, the auxiliary equipment can be fitted.
- The machine can be equipped with a number of options. Check what your machine is equipped with, which depends on the model, machine type and country.

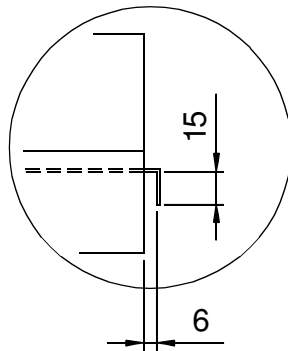
The various options normally place no specific requirement on the installation.

3.6.1 Sinks

The sinks must be hooked firmly onto the top edge of the tank.

The connection profile must look like the one shown in the drawing. The distance of 6 mm may be reduced, but must not be less than 3 mm.

Use a spirit level to check that the sinks are horizontal and adjust the height, if necessary.



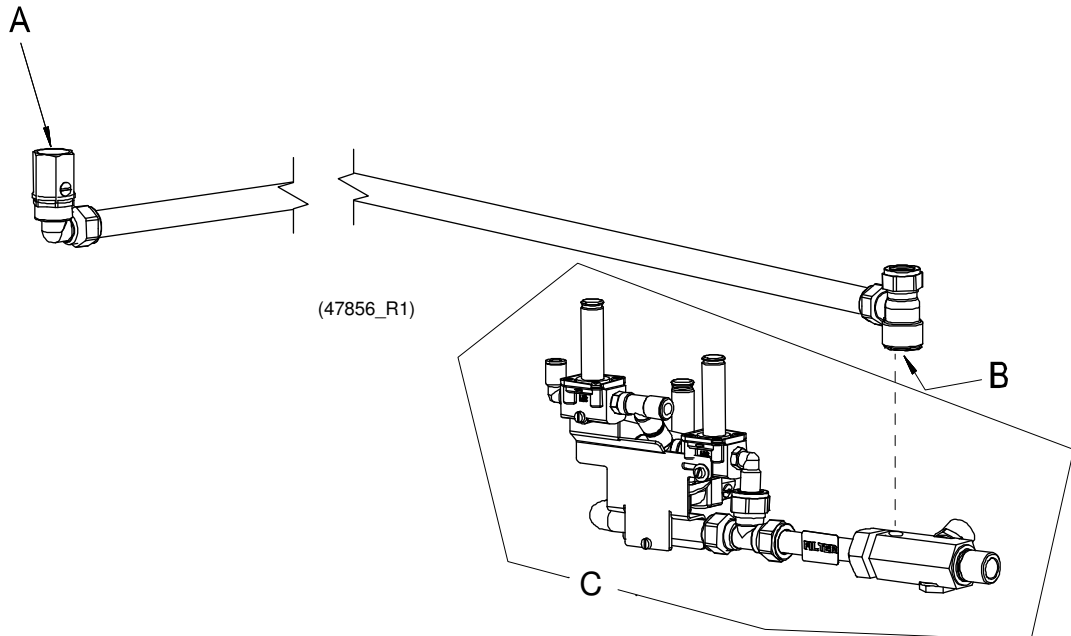
300730_R1a

Detail of sink cover

Installation instructions

3.6.2 Booster pump, shared with dishwasher connected (option)

Because the dishwasher connected is fitted with a booster pump (possible option), the WD-PRM6/7 can also use this.



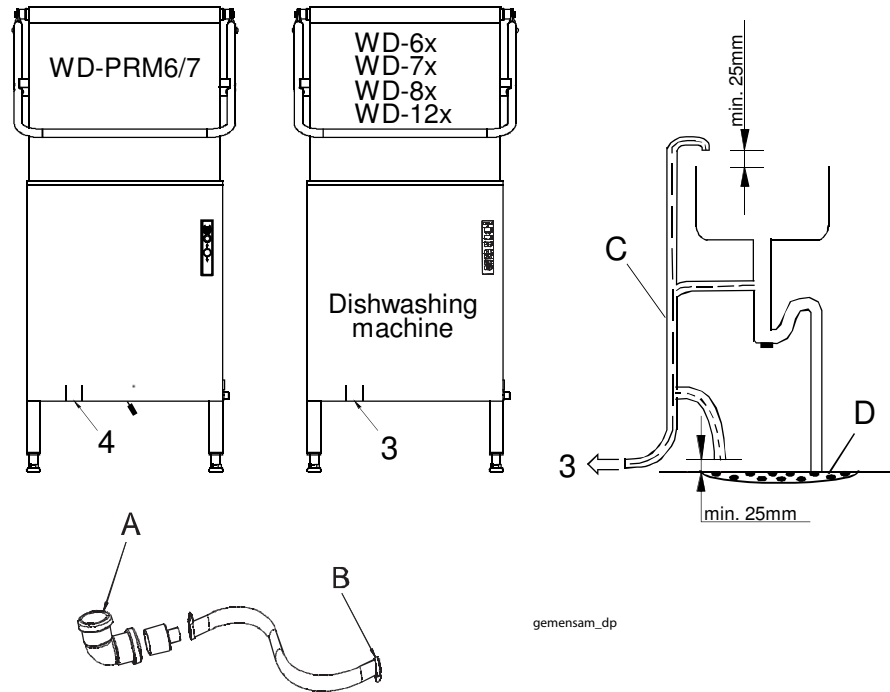
- A: connect to water connection (3) on WD-PRM6/7*
- B: connect to the dishwasher's water connection (C)*
- C: water connection located in connected dishwasher*

See the wiring diagram for electrical connections.

Installation instructions

3.6.3 Drain pump, shared with dishwasher connected (option)

Because the dishwasher connected is fitted with a drain pump (possible option), the WD-PRM6/7 can also use this.



- A is connected to drain (4) on WD-PRM6/7.
- B is connected to the inlet on the dishwasher's drain pump.
- The drain hose (C) consists of a coiled hose and is connected to the floor drain (D) according to one of the alternatives in the image and to the drain of the dishwasher (3).

Installation instructions

3.7 Trial operation

Prepare the machine for trial operation with the help of OPERATING INSTRUCTIONS. The instructions describe the measures that must be taken to prepare the machine for operation.

3.7.1 Start-up schedule

This should be completed when the machine is started up and used.

Machine type:
Machine serial number:
Installation date:

Read the installation and user manuals carefully. Then check the following points:

1. Check:

- Water and drain connections
- That the machine is evenly balanced
- That strainers are in place
- The drain lever is closed

2. Filling the machine:

- **N.B!** The dishwasher that is connected must be started
- Press the 0/1 button
- Fill the machine with water in accordance with the manual

3. Start the machine:

- Check the pump's direction of rotation
N.B.! If the direction of rotation is wrong, the phase must be inverted on the lockable power switch

4. Run a number of baskets complete with loads and check that:

- There are no water leaks
- The hood switch functions
- The automatic hood functions (option)
- The automatic start function works (option)

5. Final check: Empty the machine and turn off the power using the power switch.

- Re-tighten all the connections on the contactors and any circuit breakers
- Set all the circuit breakers to the ON position
- Display the quick guide supplied with the machine

Installation instructions

6. Train and inform personnel concerning:

- Pre-rinse
- Care (daily, weekly and other frequencies)
- Recommendation for annual service

3.8 Documentation



For correct use and servicing, it is essential that the documentation accompanying the machine is made available to personnel who will be using the machine. The installation and user manual, which describes handling and care among other things, should be stored near the machine.

4. Operating instructions



Read the chapters GENERAL INSTRUCTIONS and SAFETY INSTRUCTIONS carefully before starting work.



This chapter describes what must be done with the machine:

- Before pre-rinsing
- The way in which the pre-rinsing should be completed
- Following any pre-rinsing
- In connection with troubleshooting

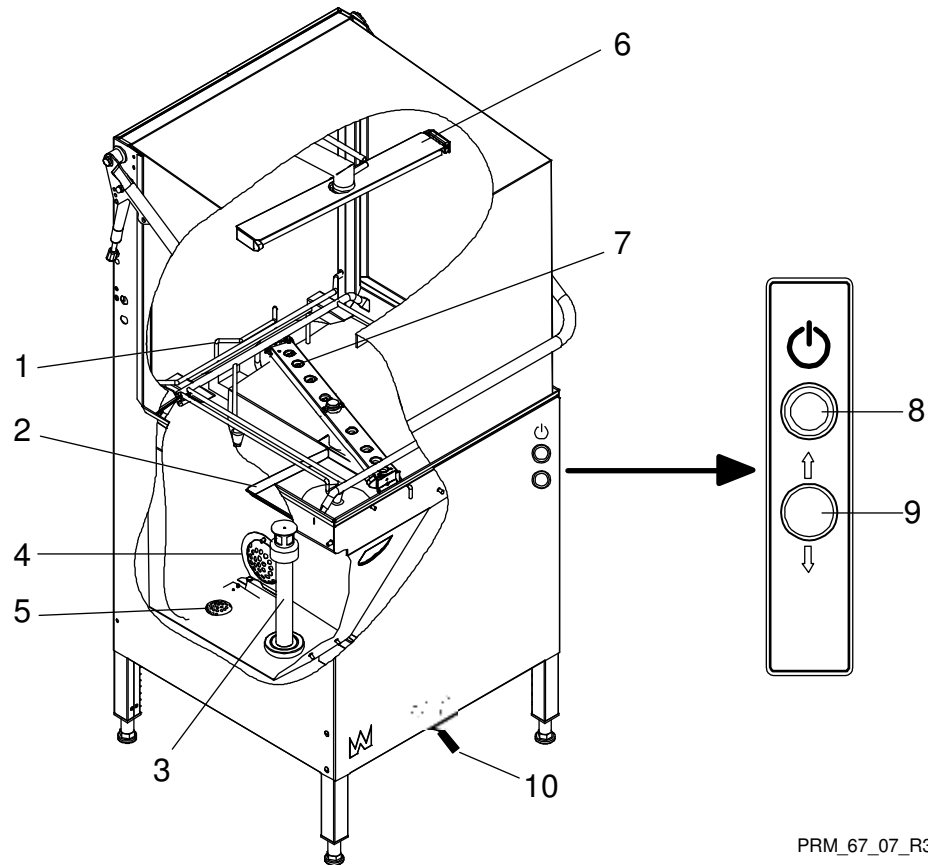
The use of the machine is dependent on how the machine is equipped.



If the machine will not be used for a longer period, the power to the machine should be turned off using the power switch, the water supply turned off and machine should be left open.

4.1 Before pre-rinsing

4.1.1 Machine design



PRM_67_07_R3

1. “Autostart” (if the machine has this option, the hood is closed automatically when a basket is loaded in the machine.) (option)
2. Tank filter
3. Level pipe
4. Pump filter
5. Bottom strainer
6. Wash arm
7. Wash nozzle
8. Button to switch the power on or off. Lights up green when the tank is filled and blue when pre-washing.
9. Pushbutton to open/close the hood. (On machines with an automatic hood lift.) (option)
10. Drain lever

In the following chapter, figures are given in brackets to clarify what needs to be done. These numbers refer to image and list above.

Operating instructions

4.1.2 Preparations before filling

Check:



- That the machine and removable parts have been cleaned. If not – clean them!
- That there is no dirt in the nozzles of the wash arms (6)
- That removable parts are correctly in place
- That the drain lever (10) is turned to the left as far as it will go
- That the power switch is in the ON position

4.1.3 Filling the machine

N.B! The dishwasher must be started. When the dishwasher is started, both the machines are filled with water at the same time.

- Press the 0/1 button (8) to switch on the power.

4.2 Pre-rinse



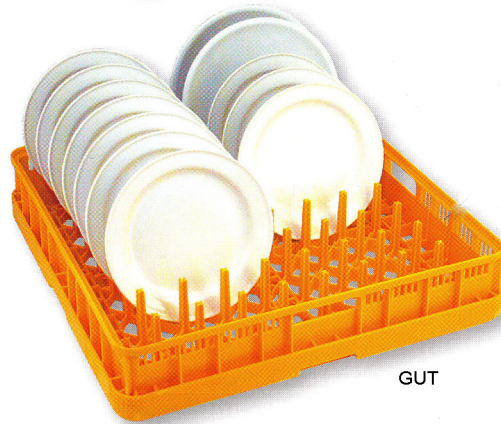
- The light in the pushbutton (8) lights up green when the machine is filled and blue when pre-washing.
- During operation the machine's tank fills automatically.
- For optimum results, it is essential to keep the filters (2) clean. Remove the filters and rinse regularly.

Operating instructions

4.2.1 Positioning of dishware in baskets



The machine is supplied with washing baskets depending on the equipment level. The washing baskets are used according to the following:



The yellow basket is used for side plates, trays, plates, etc.



The blue basket is used for glasses, cups and canteens



The brown basket is used for cutlery

Operating instructions

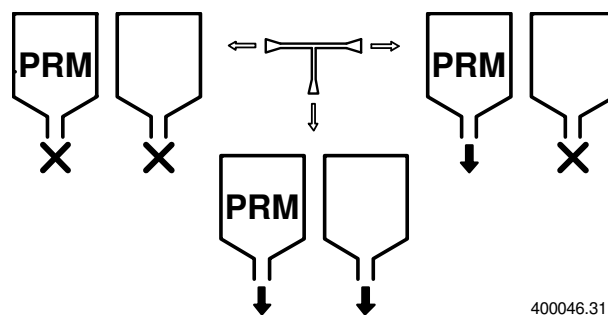
4.2.2 Machines with manual hood lift

- Push in the basket and close the hood. The pre-rinse will start automatically.
- The pre-rinse will have finished after a set amount of time (the time may be adjusted by authorised personnel). Open the hood and push the basket into the dishwasher for washing and final rinsing.

4.2.3 Machines with an automatic hood lift (option)

- Push in the basket and close the hood by pressing the button (9). The pre-rinse will start.
- If the machine is fitted with autostart (1), the hood is closed automatically when a basket is loaded. The pre-rinse will start. (option)
- The pre-rinse will have finished after a set amount of time and the hood will open automatically (the time may be adjusted by authorised personnel). Push the basket into the dishwasher for washing and final rinsing.

4.2.4 Changing the water



The drain lever (10) can be turned to three different positions.

Left: The machine's tanks are closed.

Right: WD-PRM6/7 tank open to drain and the dishwasher's tank closed.

Middle position (downwards): Both the machine's tanks are now open to the drain.



The water in the machine does not normally need changing but this can be done.

If you nevertheless want to change the water in WD-PRM6/7, this is what you should do:

- Turn the drain lever (10) to the right as far as it will go.
- The water is now emptied out from WD-PRM6/7.
- Take out the strainers (2) and clean these, refit them.
- Turn back the drain lever (10) as far to the left as it will go.
- WD-PRM is now refilled automatically with water via the connected dishwasher.

4.2.5 Emergency stop function

If the machine needs to be stopped when it is in operation, use the buttons on the control panel. Press the 0/1 button (8) to turn off the power. Press the 0/1 button (8) to restart the machine.

4.3 After use – Cleaning

HACCP

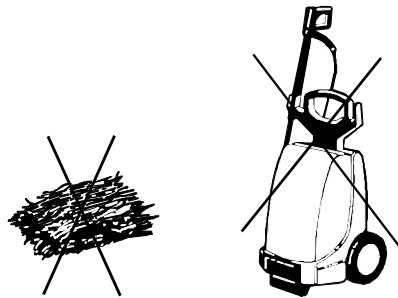
HACCP is a preventive inspection system to ensure hygiene requirements are met during the washing process and cleaning of the machine. As a result of its design, the machine meets strict hygiene requirements. Regular, thorough cleaning is also important from a hygiene perspective. A machine that is properly cleaned helps produce a good wash result, reduces the risk of dirt accumulating, increases the service life of the machine and reduces the risk of emergency shut-down.

4.3.1 Incorrect cleaning methods



N.B! An incorrect cleaning method may damage the machine. The following points must be observed:

- Do NOT use steel wool as it will cause corrosion to form on the machine.
- If detergent is used, it must not contain abrasives. Detergents containing abrasives will damage the stainless steel panels.
- The exterior of the machine must not be hosed. Water can enter the machine and damage the control panel and electrical equipment.
- Pressure washers and steam can damage the machine and must NOT be used for cleaning purposes. Never use a pressure washer to clean the floor within 1 metre of the machine. The supplier cannot be held liable for any faults caused by the use of pressure washers on the machine and any such use may invalidate the warranty. There is a risk of splashing even if the floor is hosed down.



WD9_07

Steel wool and pressure washers must not be used for cleaning

Operating instructions

4.3.2 Emptying

Machines without a drain pump

- Press the 0/1 button (8).
- Empty the tanks in WD-PRM6/7 and the connected dishwasher by turning the drain lever (10) to the middle position (downwards).

Machines with a drain pump

- Press the 0/1 button (8).
- Turn the drain lever (10) to one of the drain positions (downwards or to the right).
- See the manual for the dishwasher connected.

4.3.3 Daily cleaning

Internally

Clean the filters (2, 5). Check the wash arms' (6) nozzles (7); clean if necessary. Rinse out all of the machine's inside surfaces and clean the tank.

Externally

Wipe the outside of the machine with a soft, damp cloth.

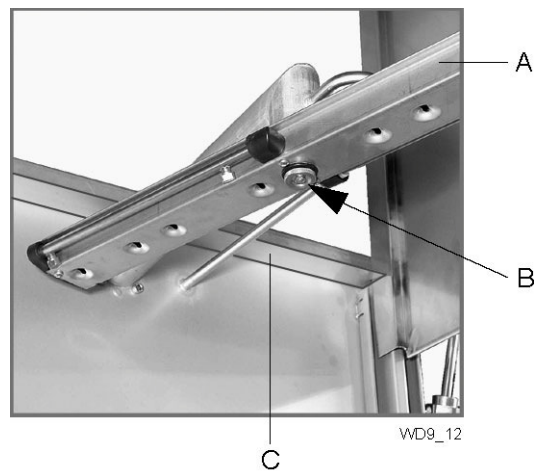
- If detergent is used, it must not contain abrasives. Detergents containing abrasives will damage the stainless steel panels.
- The exterior of the machine must not be hosed. Water can enter the machine and damage the control panel and electrical equipment.

Operating instructions

4.3.4 Cleaning each week or as required

In addition to the daily cleaning measures, clean the machine as per these instructions:

- Remove the wash arms. Loosen the lock nut (A) in the centre of the wash arm and remove the wash arm. Check and clean the nozzles if necessary. Rinse the wash arms and refit them.
- Clean the top of the splash strip (C). The strip is inside the top of the machine at the back.



*A=Upper wash arm
B=Lock nut
C=Splash strip*

Operating instructions

4.3.5 Operating problems

Troubleshooting

The following errors can be dealt with by the operator. If the problem persists, contact authorised service personnel.

PROBLEMS	CAUSE	ACTION
The machine will not start.	Power switch off.	Switch on the power switch.
The machine does not fill with water.	The drain lever is not in the correct position.	Turn the drain lever as far to the left as it will go.
The hood is not opened/closed properly.	Air has got into the system.	Bleed the hood lifting cylinder as per the manual.
The machine does not start pre-washing.	The hood is open.	Close the hood.
	Dishware is blocking the magnet on the hood.	Remove the dishes in question.
Noise from pump.	Low water level. Foam in the tank.	Check the level. Change the water.

When you contact service personnel, you will need to provide the following information:

- Machine type and model.
- Machine serial number and date when the machine was installed.
- A brief description of the problem.
- What happened/was being done immediately before the fault occurred?

5. Technical specifications

The manufacturer reserves the right to make changes to the technical data.

TECHNICAL DATA	
Pump motor (kW)	0.9
Booster pump (kW) *	0.6
Tank volume (litres)	45
Weight, machine in operation (kg), (WD-PRM6)	130
Weight, machine in operation (kg), (WD-PRM7)	150
Enclosure protection class (IP)	45

* Option

CAPACITY AND OPERATING DATA	
Total pre-rinse time (sec.)	30 / 45 / 60
Max. capacity, baskets/hour (no.) *	120
Sound pressure level, LPA (dBA) **	60 - 62
Sound power level, LWA (dBA) **	72 - 74

* With a 30 sec. pre-rinse time.

** in accordance with EN 60 335-2-58, §ZAA.2.8 with instruments that satisfy class 1.

Measurements of the sound pressure level on site are performed in three places 20 cm from the edges of the front at a height of 1.55 m using a microphone. When measuring sound power level, create an imaginary measurement area consisting of five sides at a distance of 1 m from all edges of the machine.

CONNECTION, MACHINE	
Total connected load (kW)	0.9
Main fuse 400 V 3N~(A) *	10
Max. connection area 400 V 3N~ (L1-L3, N, PE) Cu (mm ²) **	2.5

* Other voltages on request

** 2-metre-long cable included

Technical specifications

WATER, DRAIN AND VENTILATION CONNECTIONS	
Drain connection, PP pipe (ø mm)	50
Water capacity, hood lift, pressure (kPa) (WD-PRM6) *	180
Water capacity, hood lift, pressure (kPa) (WD-PRM7) *	300
Water capacity, hood lift, flow (litres/minute) *	2
Floor drain, capacity (litres/sec.)	3
Heat load room, latent / sensitive / total (kW)	0.1 / 0.2 / 0.3

* Option. At a lower pressure/flow, the machine should be fitted with a booster pump

SIZE AND WEIGHT FOR TRANSPORT	
Size (LxWxH (mm)) * (WD-PRM6)	765x710x1560
Size (LxWxH (mm)) * (WD-PRM7)	765x805x1650
Weight (kg) * (WD-PRM6)	100
Weight (kg) * (WD-PRM7)	105

* Including packaging