

### Step #1

Attach the ball studs to the mounting brackets, making sure the ball stud is facing the inside of the bracket (See Fig. 1). Attach the remaining ball studs to the pivot arms, making sure the ball studs are pointed away from the spa (See Fig. 2).

### Step #2

Using the #10 x 1" screws, attach the left and right mounting brackets, even with the back of the spa, to the appropriate sides of the spa (See Fig. 3).

### Step #3

Starting with the left side first, slide the U-shaped retainer clip between the two cover halves with the horizontal part touching the underside of the cover hinge (See Fig. 4). **Note: Do not insert the U-shaped retainer clip in-between the seams of the spa cover.** Repeat the process for the right side of the spa.

### Step #4

Position the coupler bars and coupler insert on top of the cover (See Fig. 5). Attach the coupler bars to the coupler insert using the supplied #10 x 5/8" self tapping screws. Next, adjust the coupler bars and support arms so the coupler bars are laying parallel to the spa cover hinge about 1/2" away (See Fig. 5). Using the #10 self tapping screws, fasten the support arms to the coupler bars. **Note: be sure to rotate the coupler bars so the inserted screw heads are at a horizontal angle with the heads facing the back of the spa.**

### Step #5

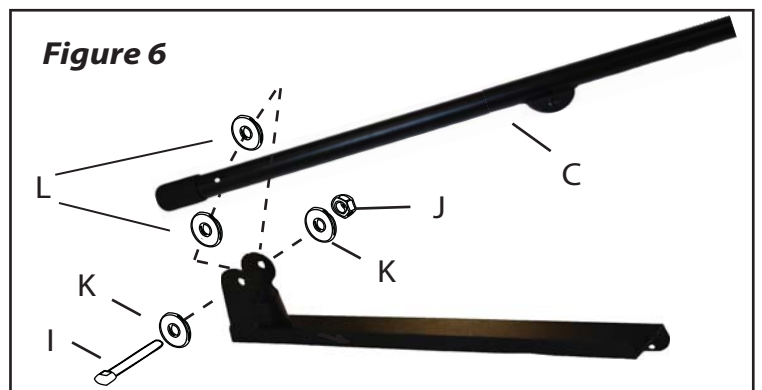
Slide the left and right pivot arms into the ends of the support arms (See Fig. 4). **Note: Do not insert the self-tapping screws at this time, this will be completed in step #6.** Next connect the pivot arms to the mounting brackets (See Fig. 6). Be sure to run the hex cap bolts as pictured. **Note: Lightly tighten the nut so the pivot arm can move freely.**

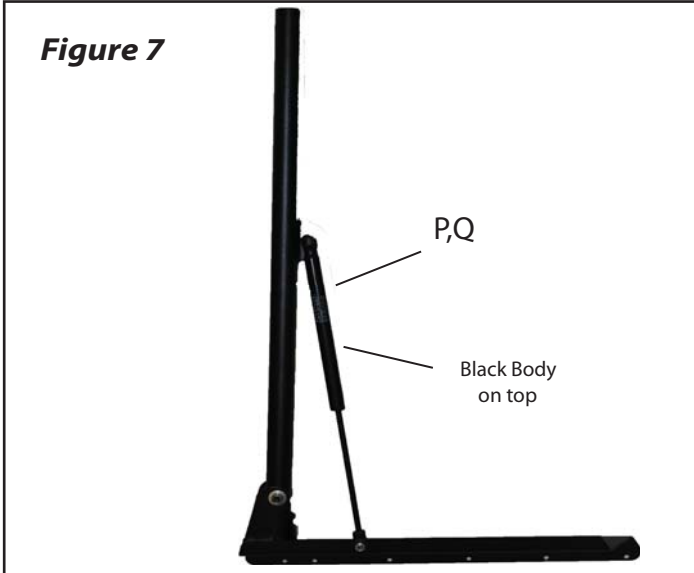
### Step #6

Fasten the pivot arms to the support arms using the 5/8" self-tapping screws.

### Step #7

Using the Covermate, lift the cover off the spa and place it in the upright position. Snap the gas shocks on the ball studs (See Fig. 7 for complete look). **Note: Be sure to install the gas shocks with the black body on top.**





**Operation of the Covermate III Eco**

1. Fold the spa cover over on top of itself. While gripping the curved portion of the support arm, motion the spa cover into its vertical and upright position.

**2. Important: when closing the spa cover, always make sure to unlock the shock by pushing on the orange stop before pulling the Covermate down to prevent possible lift damage.**

**CAUTION!**

*Do not use the Covermate in high wind condition. Injury from the spa cover being blown over and impacting the spa user can occur.*

ITEM	PART#	DESCRIPTION	QTY
A	101394	BRACKET-CMIII ECO - LEFT	1
B	101395	BRACKET-CMIII ECO - RIGHT	1
C	100906	PIVOT ARM - CMIII ECO	2
D	100897	SUPPORT ARM W/RETAINER-CMIII ECO - LEFT	1
E	100903	SUPPORT ARM W/RETAINER-CMIII ECO - RIGHT	1
R	101198	COUPLER BAR	2
S	101199	COUPLER INSERT	1
G	100835	#10 X 5/8" SELF TAPPING SCREW, BLACK	6
H	100836	#10 X 1" SHEET METAL SCREW, BLACK	28
I	100837	3/8 X 2.25" HEX CAP BOLT, BLACK	2
J	100838	3/8 NYLON LOCKNUT, BLACK	2
K	100839	3/8 FLAT WASHER, BLACK	4
L	100840	3/8 X 1" NYLON FLAT WASHER, BLACK	4
M	100244	5/16 BALL STUD	4
N	100841	5/16 NYLON LOCKNUT, BLACK	4
O	100895	1/4 FLAT WASHER, BLACK	4
P	100828	SHOCK - 40#	1
Q	100831	LOCKING SHOCK - 40#	1